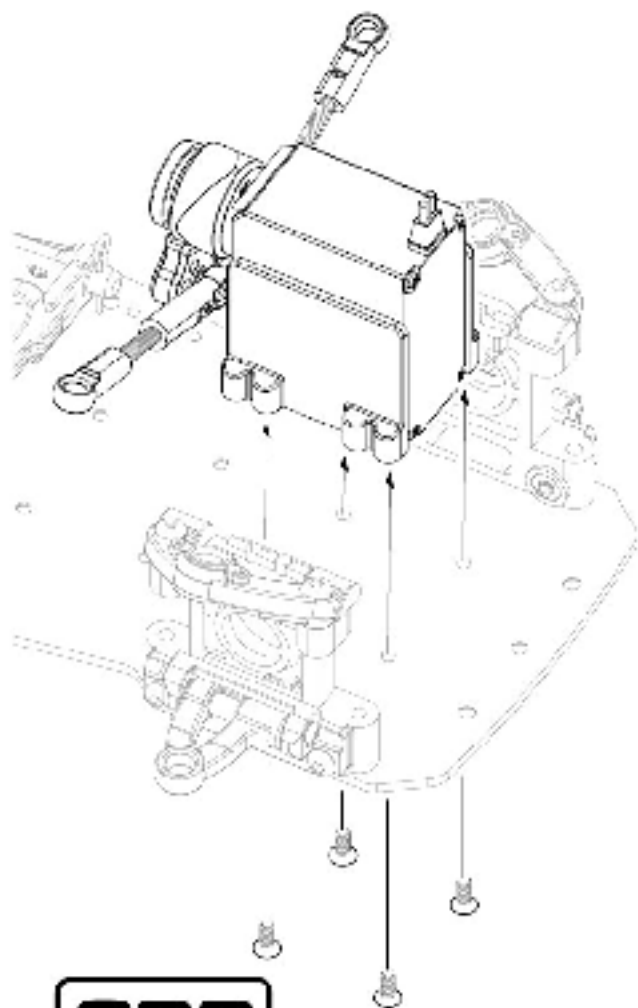


233

239

245

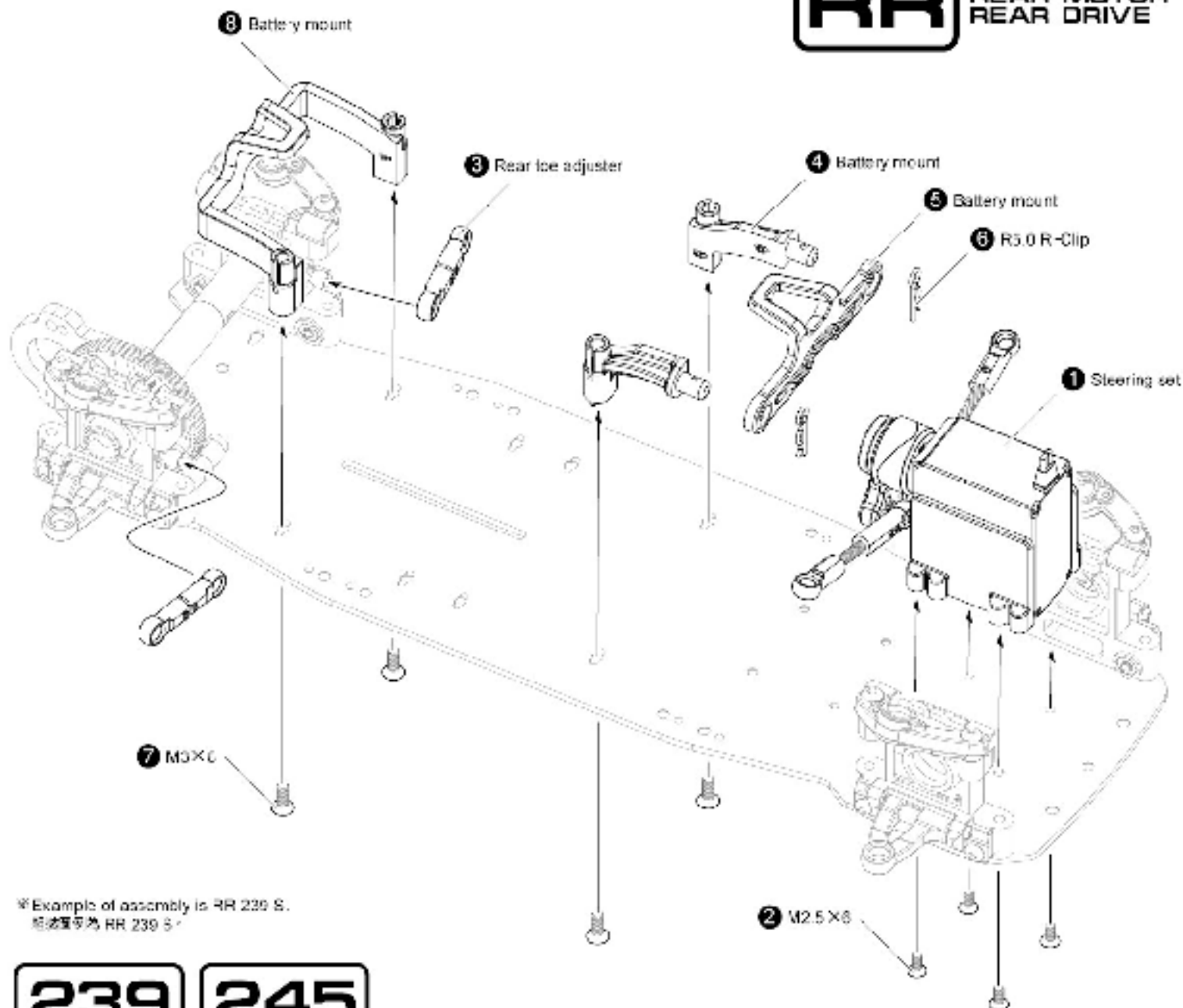


233

STEP 1

Steering servo & battery mount: assembly

转向伺服器 & 电池盒安装



*Example of assembly is RR 239 S.
 组装实例为 RR 239 S *

239

245

RR

REAR MOTOR
REAR DRIVE